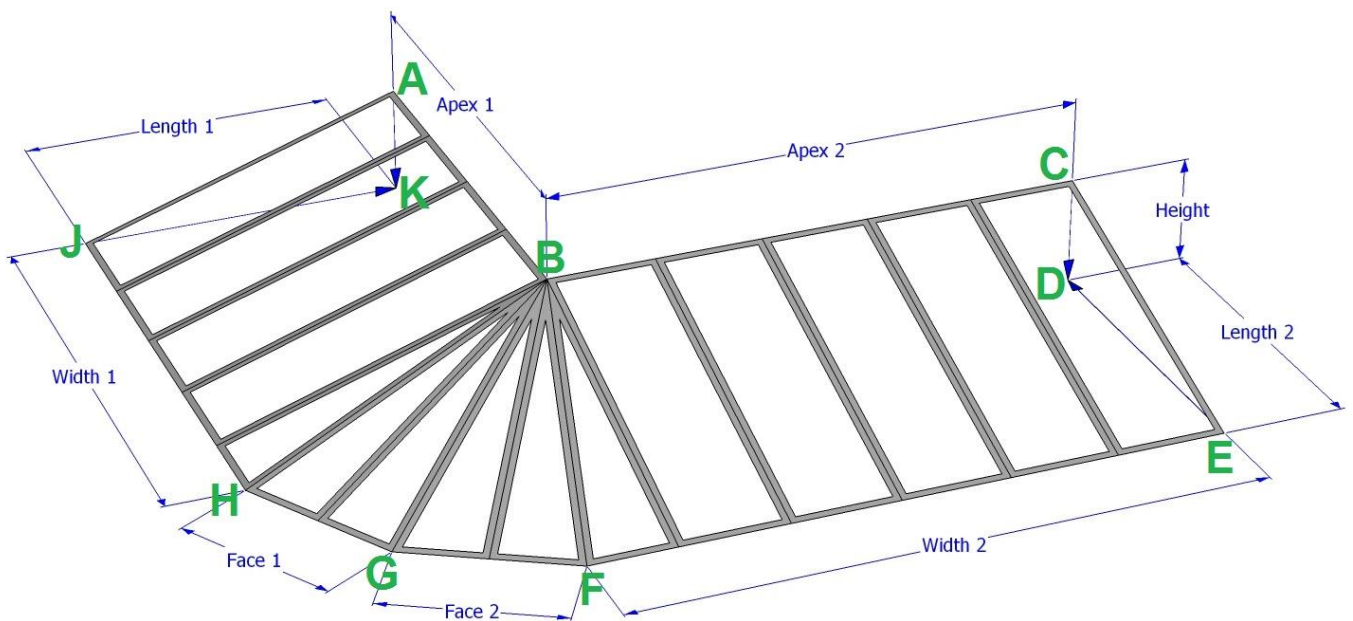


Shade Sail Blinds

Measuring-Up Form

'L'-Shape Victorian Hip Conservatory

Before measuring these dimensions, we recommend that you read the Measuring-Up Guide on our website which will explain how, and where, to take these measurements. The Measuring-Up Guide can be found here <https://shadesailblinds.com/measuring-up-guide/>



If you are unsure of how measure-up your conservatory correctly, or would like a little extra guidance, please do not hesitate to contact us and a member of our team will be happy to help you. If you do not feel comfortable measuring-up yourself, we now offer a measuring-up service, please contact us for availability and pricing.

Telephone: +44 1249 848649

Measurement Units

Please select which units you are using to take the measurements, inches, centimetres, or millimetres.

Inches []

Centimetres []

Millimetres []

Measurements

Measurements need to be accurate to within half an inch, or 1.0cm, or 10mm.

Apex 1 – measure A to B:

Apex 2 – measure B to C:

Height – measure C to D:

Length 1 – measure J to K:

Length 2 – measure D to E:

Width 1 – measure H to J:

Width 2 – measure E to F:

Face 1 – measure G to H:

Face 2 – measure F to G:

Obstructions

Please indicate whether any of the following are present in the roof space and remember to submit large, clear photos of any obstructions along with this form. We may request further measurements associated with these obstructions and will use your submitted images to mark which measurements we need.

Tie-Bars: []

Window Winders/Electric Openers: []

Light Fittings:

Wall []

Apex []

Pendant []

Ceiling Fans: []

Drop Dimension:

Diameter Dimension:

Please see the Measuring-Up guide on our website for guidance on how to measure the Ceiling Fan 'drop' & 'diameter' dimensions.

Any other decorative pendant items (please specify):

.....
.....

In addition to these measurements and photos of possible obstructions, please provide good size, internal photos of all 4 sides of your conservatory roof space.

Customer Details

Name:

Company (optional):

Address (installation):

.....

Post Code:

Telephone Number:

E-mail Address:

Address for billing if different from installation address above

Address:

.....

Post Code:

Telephone Number:

E-mail Address:

I confirm that I have read the measuring-up guide on the Shade Sail Blinds website and that the information provided in this form is accurate and correct. I understand that bespoke design, costing and production will be based on this information and Shade Sail Blinds Ltd. cannot be held responsible for size/shape issues that are a result of this information not accurately reflecting existing structures.

Signed:

Print:

Date: / /